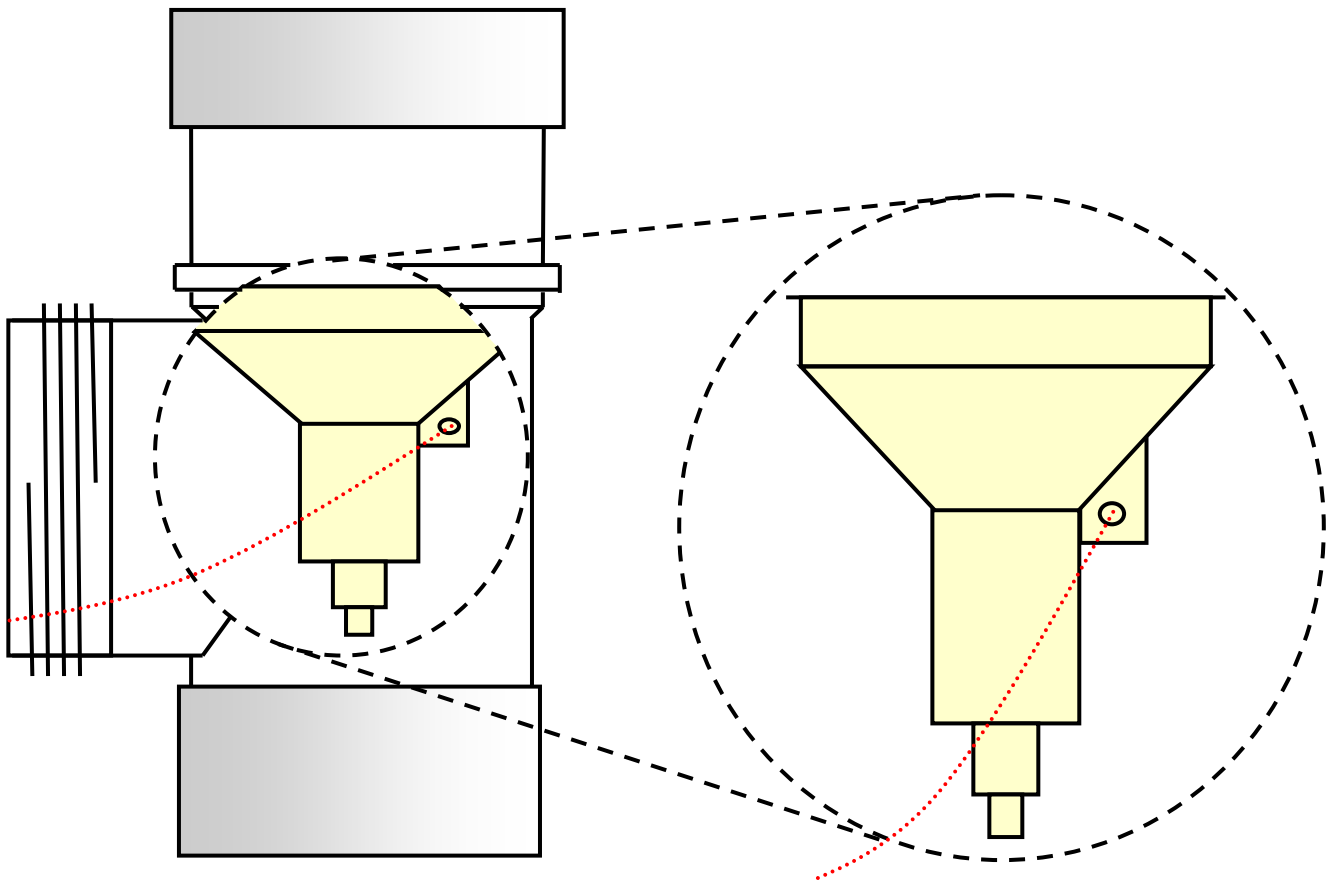


Disposable ARTPLASTICS Stack Tester

Easy and effective stack testing is here! Strong enough to hold a test and then can be deformed for easy extraction out of the 100mm inspection opening!



Design Features (Registered Design applied for)

1. A 5mm Nylon cord should be used as a safety lanyard as shown in diagram.
2. Place Stack Tester in top socket of the inspection opening fitting and create stack using typical solvent welding techniques.
3. Test your stack with either water or air, by using a small amount of water to create an air tight seal in the Stack Tester.
4. Use snips to cut teat off and allow stack to drain.
5. Reef tester out through side of inspection opening, the special polymer deforms to allow extraction. Be careful of sharp edges