

Our range...



Our range of Floor Wastes includes the superior Bounty range as well as traditional plastic floor wastes through to chrome on plastic, stainless steel faced and brass waste systems.



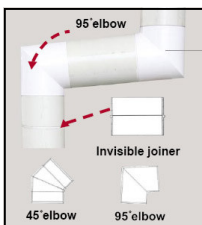
Art Plastics have been manufacturing Plug & Wastes for local and overseas markets for over 15 years. We have the industry leading range of Plug & Wastes. Spare parts are available for all Plug & Wastes. This includes 32mm, 40mm, 50mm and 90mm sealing washers, grates, backnuts and plugs.



Art Plastics has a diverse range of specialized and high value added general plumbing products. Our range includes Flanges, Gutter Drops, DT Grates, Slab Repair Adapters, Test and Tile Cap and Plugs, Rainwater Heads, Snap In Vents, Elbows, Sud Saver Rinse By-Pass Kits and Clips.



Art Plastics has the industry leading range of leak control products. Our in-house expertise ensures we remain at the forefront of the industry with developments such as our new Mastic Support Flange and associated tooling representing a total solution.



Art Plastics is pleased to announce the release of our new Classic Downpipe System comprising UPVC fittings that make the installation of architectural down pipes quick and easy! Simply use standard 90mm pipe to create a seamless look.

ARTPLASTICS

- THE PRODUCTS
- THE PRICE
- THE QUALITY
- THE DISTRIBUTION

Art Plastics
14 White Street
Bayswater, WA 6053

Phone: 08 9370 4411

Fax: 08 9370 4450

E-mail: enquiries@artplastics.com.au

See us at:

www.artplastics.com.au

Proudly distributed through:

QLD	Collis Marketing (07) 3805 6664
VIC	Midlink (03) 9879 4080
NSW/ACT	Wasteland (02) 9674 7680
WA -	Pride Industries (08) 9272 6511
TAS -	Wholesale Products (03) 6273 3455
SA	Wasteland (02) 9674 7680

Problem solving plumbing products from Art Plastics...

The Art Plastics range of plumbing products addresses specific industry requirements from Water Proofing through to cost effective Architectural Down Pipe solutions.

Take a look inside for our range of:

- Floor Wastes
- Plug and Wastes
- General Plumbing Products
- Leak Control Solutions
- Storm Water, and
- Clips.

ARTPLASTICS

- THE PRODUCTS
- THE PRICE
- THE QUALITY
- THE DISTRIBUTION

Subscribe to our Newsletter at
www.artplastics.com.au

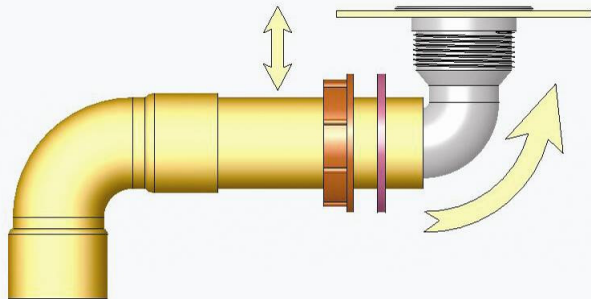
Budget Bath Bend

**Simple Design, Simple to Fit,
Simply Better**

The budget bath bend gives plumbers like you the perfect offset connection for baths.

Designed and built in Australia for Australian bathtubs and connections it's sheer simplicity is it's main feature. A simple backnut provides the same security that you have enjoyed for many years with the good old plug and waste.

The bath waste is fully approved and tested for use by Standards Australia.



Frequently asked Questions

If it is such a clever idea, why has no one thought of it before?

Good question! The main answer is that no one until now has been able to get the backnut around the bend of a 40mm waste.

It was only after many hours of computer modelling and a lucky touch of inspiration that gave us the answer in reducing the bore size of the bend, to allow the backnut to pass around the bend.

As a matter of fact this feature is one of the distinctive things about the Budget Bath Bend, the novelty of the Budget Bath End provides very strong protection for our registered design.

Tell me about the 'multi fin rubber seal' on the connection end?

The multi fin rubber seal has been tested under vacuum and pressure and been shown to provide a perfect seal. This design ensures a perfect seal through the multiple fins contacting along multiple pipe points. This is a fail safe design.

The outlet seems small, is it big enough to drain properly?

Good question! A definite yes!

Not only is the internal waterway well above the Australian Standard it is also much the same as other more expensive and complicated bath connectors. You will recall the Water Authority deliberately reduced the size to stop water rushing through the polozic and robbing the water seal. Also water rushing out of a larger inlet, say 50mm, with kiddies in the bath can present a serious risk of injury.

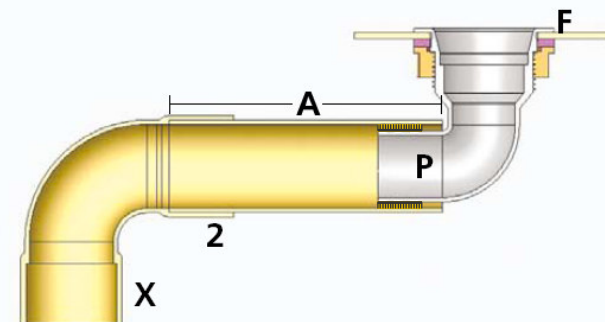
Fact:

Many plumbers now deliberately offset the waste pipe to allow the use of an offset connector, which in turn, uses less vertical space.

Fitting the Budget Bath Bend

1. Preferably set waste pipe off to the side before concrete pour.
2. Measure and cut the included 200mm of DWV 40mm pipe to distance (A). Ream sharp inside edge of bath ends and sand off burr.
3. Solvent weld elbow to pipe end (2), but not (X).
4. Fit main body of bath end from top of bath and loosely fit washer and backnut to the underside of bend.
5. Lubricate "rubber seal" and insert pipe into (P).
6. Back off backnut and washer to allow assembly to be lifted onto waste pipe to connect with bend of elbow (X).
7. Apply neutral cure silicone to underside of flange (F), do up backnut firmly by hand, nip up 1/8 of a turn.
8. Wipe excess silicone off bath.

It is assumed tradesmen and plumbers will use their training and experience to achieve the connection to a high standard. Fall should be away from the waste inlet. Water test assembly before sheeting.



Registered Design