

Visit us at:  
[www.artplastics.com.au](http://www.artplastics.com.au)

14 White Street  
Bayswater WA 6053

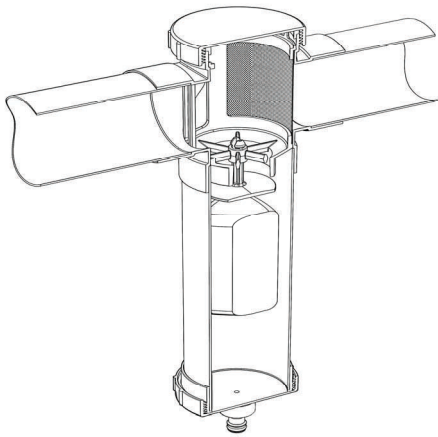
Rinse your roof with the...

## Roof Rinse Valve

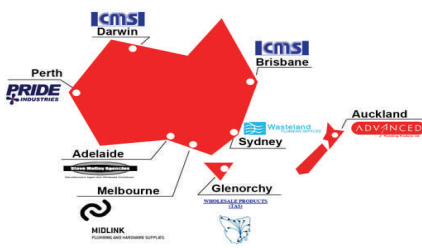
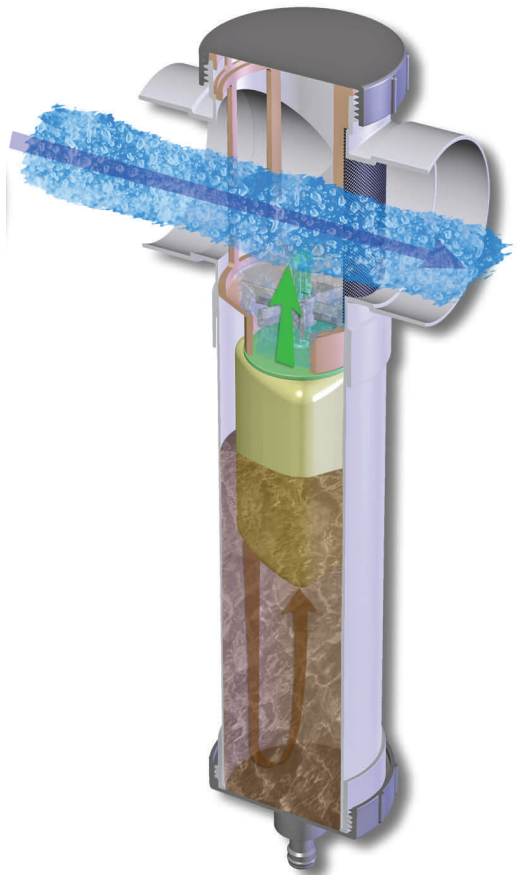
Rinse away the contaminated water  
from your roof before filling your tank with crystal clear water

The 'Roof Rinse Valve' is designed to discard the first 6 to 10 litres of rainwater flow thereby discarding the most contaminated water off your roof before it reaches your tank.

Incorporate both The Roof Rinse Valve and The Boot Rain Water Head into your rain water collection system to ensure hassle free rain water collection



- ✓ Capture cleaner rainwater by discarding the first flow from your roof and gutters.
- ✓ Simple action, improved float design.
- ✓ Mozzie proof debris filter.
- ✓ Improved bypass action reduces harmonic cycling of float.
- ✓ Automatic reset—ready to rinse your roof each time it rains.
- ✓ Option to utilize increased rinse water. Use a 60 litre slave tank—see our website for instructions.
- ✓ Fits 90mm storm water fittings.



**Western Australia**  
**Pride Industries:**  
Ph: 08 9272 6511  
Fax: 08 9272 3427

**Victoria**  
**Midlink Plumbing Supplies:**  
Ph: 03 9879 4080  
Fax: 03 9879 4048

**Queensland & NT**  
**Collis Marketing Services:**  
Ph: 07 3805 6664  
Fax: 07 3805 6668

**New South Wales**  
**Wasteland Plumbing Supplies:**  
Ph: 02 9674 7680  
Fax: 02 9674 7681

**Tasmania**  
**Wholesale Products:**  
Ph: 03 6273 3455  
Fax: 03 6273 1901

**South Australia**  
**Steve Molloy Agencies:**  
Ph: 08 8352 8600  
Fax: 08 8352 8622