

Visit us at:
www.artplastics.com.au

14 White Street
Bayswater WA 6053

Rinse your roof with the...

Roof Rinse Valve

Rinse away the contaminated water from your roof before filling your tank with crystal clear water.

The 'Roof Rinse Valve' is designed to discard the first 6 to 10 litres of rainwater flow thereby discarding the most contaminated water off your roof before it reaches your tank.

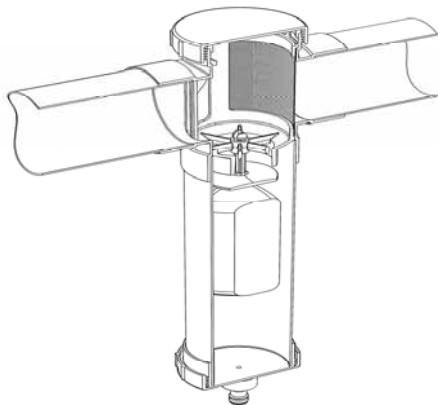
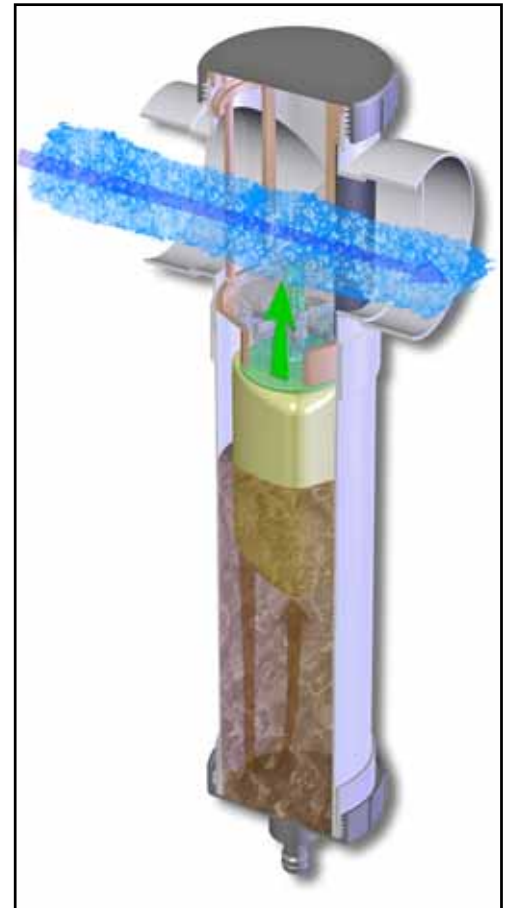
Incorporate both The Roof Rinse Valve and The Boot Rain Water Head into your rain water collection system to ensure hassle free rain water collection.



Features include:

- * Capture cleaner rainwater by discarding the first flow from your roof and gutters.
- * Simple action, improved float design.
- * Mozzie proof debris filter.
- * Improved bypass action reduces harmonic cycling of float.
- * Automatic reset - ready to rinse your roof each time it rains.
- * Option to utilize increased rinse water. Use a 60 litre slave tank—see our website for instructions.
- * Fits 90mm storm water.

Pat Pending



Western Australia

Pride Industries:

Ph: 08 9272 6511
Fax: 08 9272 3427

Victoria

Midlink Plumbing Supplies:

Ph: 03 9879 4080
Fax: 03 9879 4048

Queensland & NT

Collis Marketing Services:

Ph: 07 3805 6664
Fax: 07 3805 6668

New South Wales

Wasteland Plumbing Supplies:

Ph: 02 9674 7680
Fax: 02 9674 7681

Tasmania

Wholesale Products:

Ph: 03 6273 3455
Fax: 03 6273 1901

South Australia

Steve Molloy Agencies:

Ph: 08 8352 8600
Fax: 08 8352 8622