

DETAIL D
SCALE 3 : 1

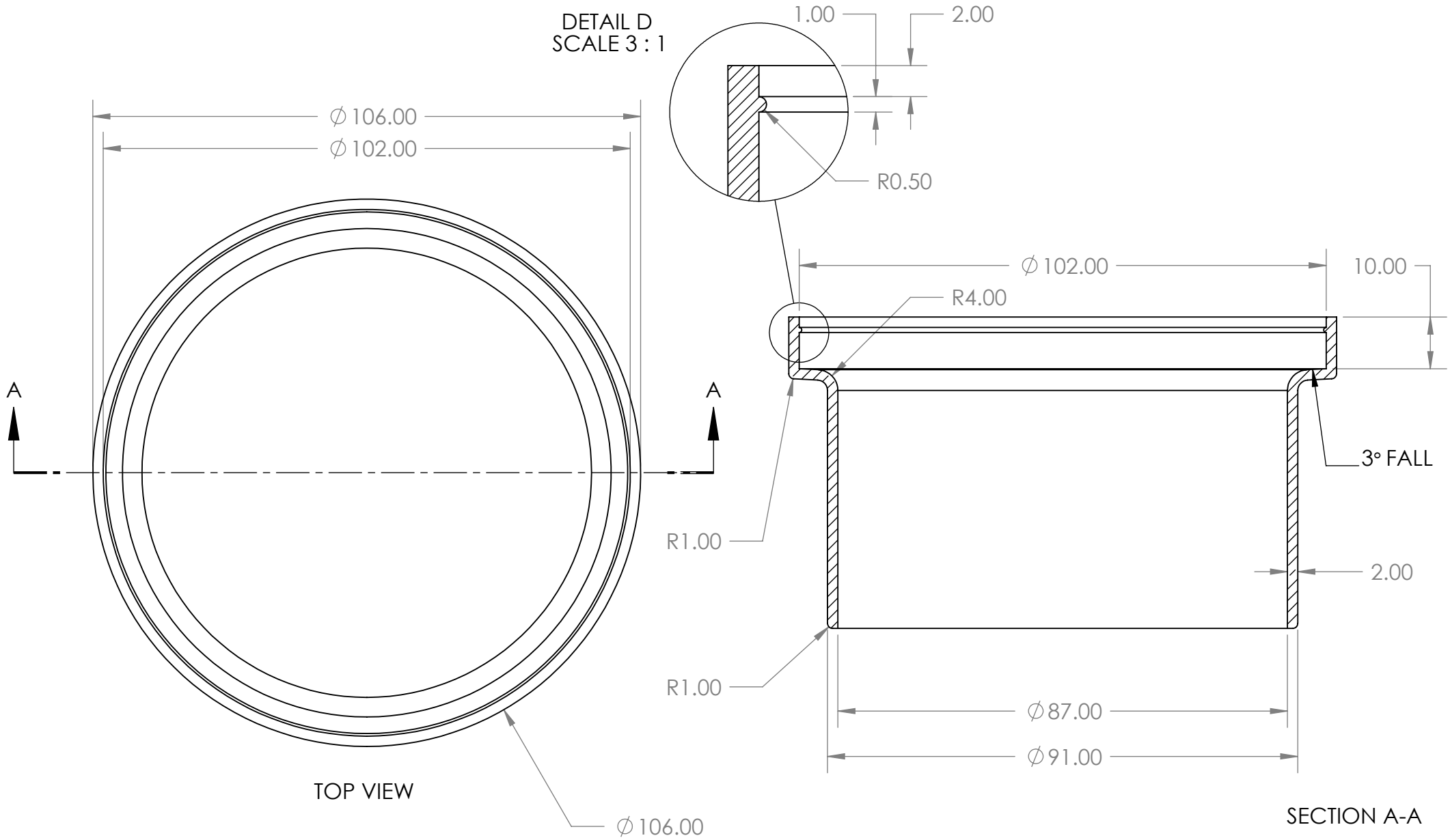


FIG. 2

UNLESS OTHERWISE STATED:
DIMENSIONS ARE IN mm
SURFACE FINISH:
TOLERANCES:
LINEAR:
ANGULAR:

MATERIALS	REV. NO	DESCRIPTION	DATE	APPROVED
	1	changed OD to 91mm, increase wall thickness to 2mm, replace feather end with 1mm fillet		
PRODUCT CODE				

Drawn: **Andrew Suhatam**

Date: 16/8/2010

SCALE: 1:1

SHEET 1 OF 1

ARTPLASTICS PTY LTD